

ADVANCED DIGITAL RECORDER

SDR100E SERIES

SDR102E | SDR104E | SDR106E | SDR112E



ADVANCED DIGITAL RECORDER

SDR102E | SDR104E | SDR106E | SDR112E



Brightness and Clarity

- 640X480 TFT-LCD
- Implement 256K Color

Touch Screen Display

- Easy and convenient operation by touch screen

Abundant Storage Space

- Internal memory : 4GByte (Permanent)
(Can store for about 6 years based on 1 sec / 12 channels)
- External memory : 4GByte (SD card) Basic provision

Convenient Message Function

- Automatically enter messages for important events or actions
- Easy Short Cut message function
- Message Check in saved Graphs

Fast Record Data Search

- Mount the FSA, (Fast Searching Algorithm)
- Available for identify previous saved data during recording
- Within about 1 sec in searching 1GByte data
- Available for search of currently saving graph

Automatic Data Recovery Function

- Supports automatic recovery of missing data when the card is removed and re-inserted while saving the SD card (Internal memory / SD card simultaneous storage)

Exploring data

Drag the screen to move freely and explore data



User notes

- Available for note write and insert during data recording or in the recorded data screen

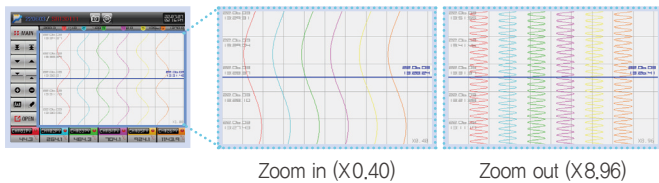


Note insert screen

Note write screen

Zoom in/out of data

Data can be analyzed by enlarging or reducing the data

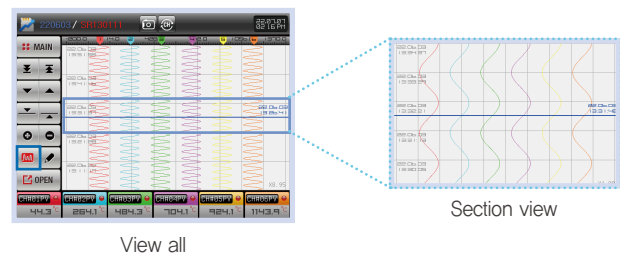


Zoom in (X0.40)

Zoom out (X8.96)

View Data Intervals

It can display the entire screen of the desired section (± 180 dots based on the navigation bar) by moving the navigation bar in the full data view.



View all

Section view

Internal web server

- Available for display and sub-channel firmware updates via self-contained web server
- Accessible through various devices such as PC, smartphone, tablet



Firmware update

Communication and operation programs supported free of charge

- Support basic communication (RS232C/485, Ethernet) and operating program



Individual monitoring screens

Integrated monitoring screen

User Screen

Selectable Set-Up Screen

- It can register a picture you want and use it as a start screen



Electric Album

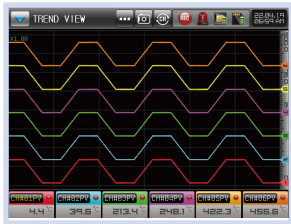
- Provides an album function that registers 16 desired photos and shows them sequentially when there is no key operation



Various Screens

- Easy Structure for User
- Support of the Trend(Across/Vertical) screens, Digital screens and Bar screens
- Back ground color change on the Trend Screen

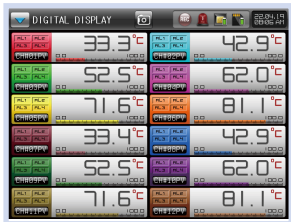
Trend(Horizontal) Screen



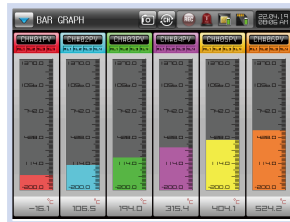
Trend(Vertical) Screen



Digital Screen



Bar Screen



Various storage management

History Save Function

- Max. each 100 Errors, Alarms and Events histories
- Can be saves as TEXT, CSV or PDF



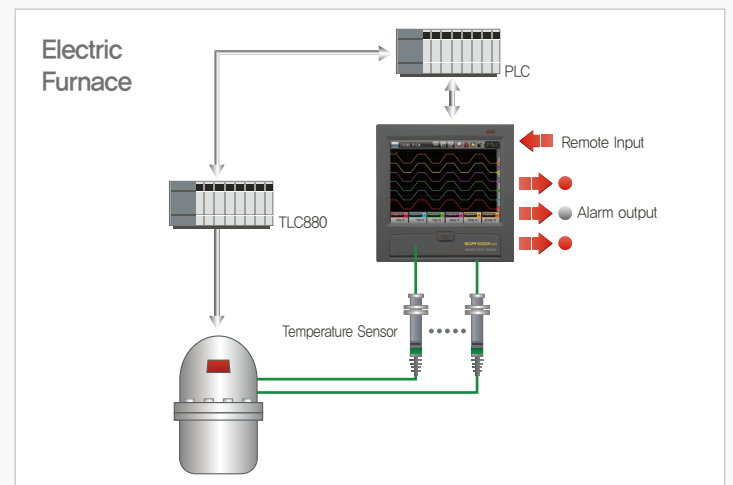
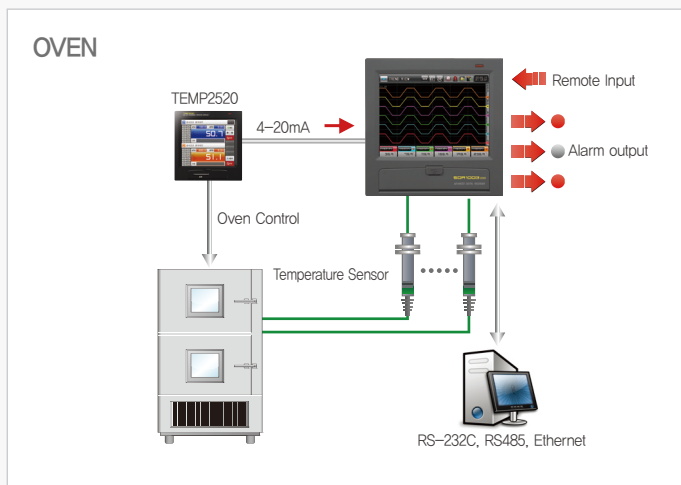
Data Management

- Available for sustainable storage with one file
- Support for simultaneous storage, transmission and deletion of Internal/external(SD) memory
- Available for parameter back up via external (SD) memory



Example of Product Use

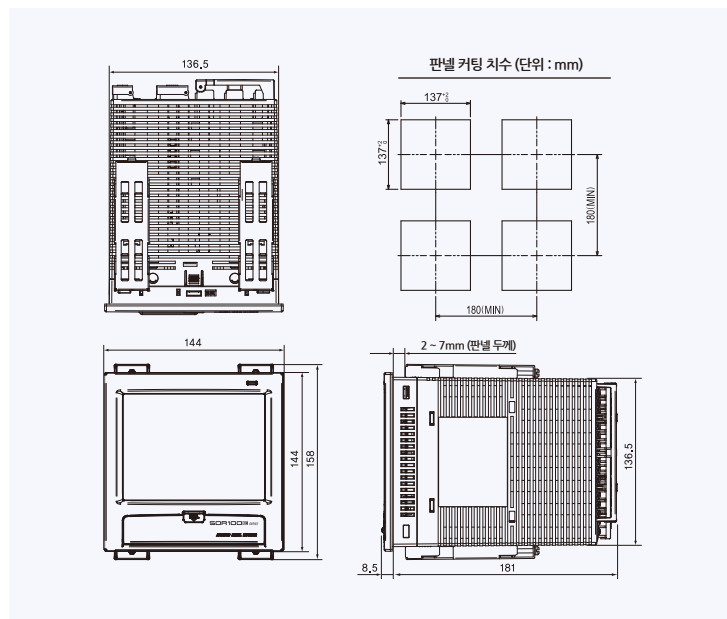
It can be used in various industrial fields that require accurate analog data recording, and data analysis and conversion is possible through dedicated S/W.



Product specification

Group	Item	SDR102E	SDR104E	SDR106E	SDR112E
Screen	Display	5.7" TFT-LCD(640(W) X 480(H))			
	Display type	Trend, Bar, Digital, Event, History of Error, Information(Alarm, Message, Memory capacity)			
	Language	Korean, English, Chinese (Traditional, Simplified), Japanese, Polish			
Input section	Number of channel	2 Channel	4 Channel	6 Channel	12 Channel
	Input types	TC	K, J, E, T, R, B, S, L, N, U, W, Platinel II, C		
		RTD	Pt100(IEC), Jpt100(JIS), 1/100 Displayable		
		DCV	-5~10V, -10~20V, -1~2V, 0~2V, 0~5V, 1~5V, 0~10V, 0~20V, -10~20mV, -50~100mV, 0~20mV, 0~100mV(Scale : -30000 ~ 30000)		
		DCV unit	C, F, BLANK, %, Pa, kPa, %RH, mV, V, Ω, mmHg, kgF		
		TC/RTD unit	C, F		
	Measurement interval	500ms			
Input accuracy	±0.1% of full scale ±1 digit				
Alarm function	Number of alarm	Setting of maximum 4 alarms per a channel			
	Alarm type	High/Low of PV, In/Beyond of PV range, Above of PV rise rate, Below of PV rise rate Above/Below deviation among channels. sensor open			
Alarm output (Option)	Contact point quantity	A contact point Relay 6points, 12points Normal open(Max. 30V DC 1A/250VAC 1A)			
Remote input (Option)	Contact point quantity	2points(Contact point Volume: Maximum 12V DC, 10mA)			
	Contact point function	DI errors and cycle recording, Setting the DI detection leg-time			
Data storage function	Internal memory	Flash memory(4GB)/Non-volatile			
	Exterior memory	SD/SDHC card(FAT 32 format)			
	Save method	Save at the Interior/Exterior(SD card) memory			
	Data type	Recorded data & Message			
Communication	Interface	Basic RS232C/485 selection, Communication speed : Max. 115,200bps, Ethernet(TCP/IP)			
	Protocol	PC-Link, PC-Link(Checksum), Modbus(ASCII, RTU)			
Product size and weight	Size	144(W) X 144(H) X 188(D) mm			
	Weight	1.1Kg		1.2Kg	1.3Kg
	Case material	PC + ABS			
Power	Rated voltage	100 ~ 240V AC, 50/60 Hz			
	Consumed electric power	15VA Max.			

External dimension and panel cutting size Model code



SDR 1 * * E - N * * / *

① ② ③ ④

① Number of Controlled Channels

- 02 : 2Channels
- 04 : 4Channels
- 06 : 6Channels
- 12 : 12Channels

② Alarm Output

- N : None
- A1 : Relay 6Points
- A2 : Relay 12Points

③ Remote Input

- N : None
- R1 : DI 2Points

④ Others

- M1 : Computation Function
- P1 : Portable Type



SAMWON TECHNOLOGY CO., LTD.

388, Songnae-daero, Bucheon-si, Gyeonggi-do, Republic of Korea
T +82-32-326-9120 F +82-32-326-9119 E webmaster@samwontech.com/sales@samwontech.com

<http://www.samwontech.com>

Being the leader of controller market in the 21st century with the best technology